

Hub data sheet

Measure the dimensions A, B, x, y.

Use your ruler to measure the distance between the flanges - dimension F in the table below.

Now calculate C and D where:

$C = z - x$

$D = z - y$

z = half the over locknut dimension.

Check your calculation since $C + D$ should be the same as F .

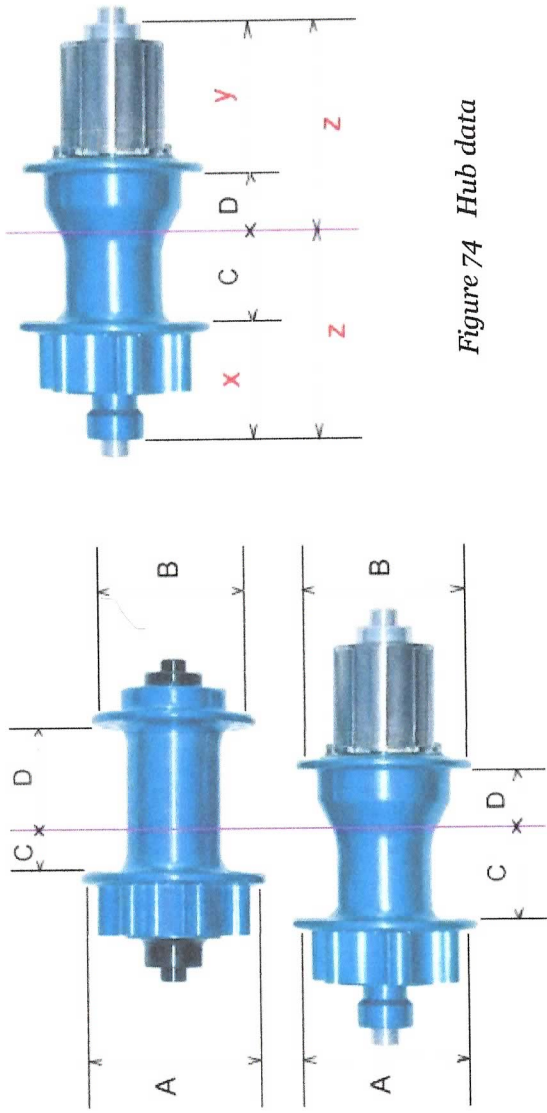


Figure 74 Hub data

Hub name	A	B	C	D	z	x	y	F
SHIMANO SLX HB M675	44	44	22	32				54
SHIMANO SLX FH M675	44 32	45	32.5	18.5				51